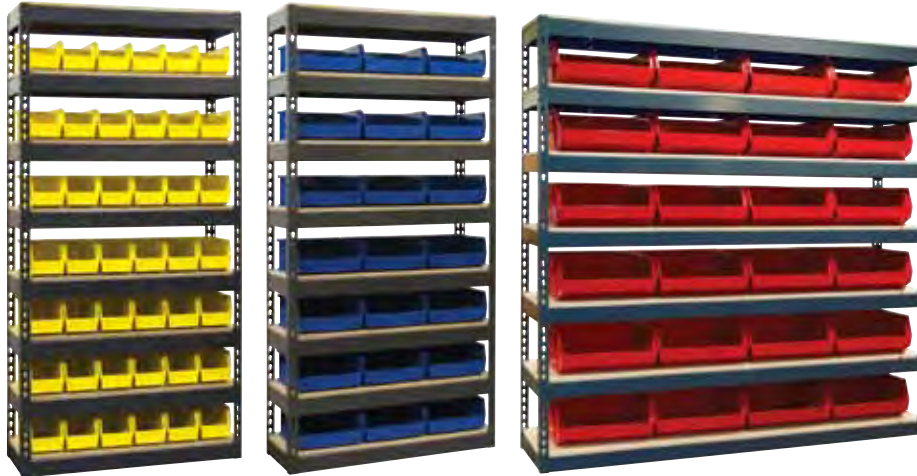


# Series 200B Stationary Bin Storage Units

Jumbo bin storage units come complete with bins. Bins are made of heavy duty polypropylene and are unaffected by water, grease and oil. Shelving features a heavy duty industrial boltless design which provides for quick, easy assembly and years of dependable service. These units are a cost effective way to store small, medium and large parts. Shelving comes complete with bins and particle board decking. Features 1/2" particle board decking.



Enhance bin functionality by purchasing bin dividers and windows (see page 40)

Bin D x W x H	Unit W x D x H	Bins Per Level	# of Levels w/Bins	Total # of Bins	# of Shelves	Model Number	Price Each
<b>12"D Bins</b>							
10 <sup>7</sup> / <sub>8</sub> " x 5 <sup>1</sup> / <sub>2</sub> " x 5"	36" x 12" x 72"	6	7	42	8	QR1-(B/Y/R)230*	412.71
10 <sup>7</sup> / <sub>8</sub> " x 5 <sup>1</sup> / <sub>2</sub> " x 5"	48" x 12" x 72"	8	7	56	8	QR2-(B/Y/R)230*	524.24
10 <sup>7</sup> / <sub>8</sub> " x 5 <sup>1</sup> / <sub>2</sub> " x 5"	60" x 12" x 72"	10	7	70	8	QR3-(B/Y/R)230*	649.97
10 <sup>7</sup> / <sub>8</sub> " x 5 <sup>1</sup> / <sub>2</sub> " x 5"	72" x 12" x 72"	12	7	84	8	QR4-(B/Y/R)230*	747.64
10 <sup>7</sup> / <sub>8</sub> " x 5 <sup>1</sup> / <sub>2</sub> " x 5"	96" x 12" x 72"	16	7	112	8	QR5-(B/Y/R)230*	992.21
10 <sup>7</sup> / <sub>8</sub> " x 11" x 5"	36" x 12" x 72"	3	7	21	8	QR1-(B/Y/R)235*	355.38
10 <sup>7</sup> / <sub>8</sub> " x 11" x 5"	48" x 12" x 72"	4	7	28	8	QR2-(B/Y/R)235*	447.80
10 <sup>7</sup> / <sub>8</sub> " x 11" x 5"	60" x 12" x 72"	5	7	35	8	QR3-(B/Y/R)235*	554.42
10 <sup>7</sup> / <sub>8</sub> " x 11" x 5"	72" x 12" x 72"	6	7	42	8	QR4-(B/Y/R)235*	632.98
10 <sup>7</sup> / <sub>8</sub> " x 11" x 5"	96" x 12" x 72"	8	7	56	8	QR5-(B/Y/R)235*	839.33
10 <sup>3</sup> / <sub>4</sub> " x 8 <sup>3</sup> / <sub>4</sub> " x 7"	36" x 12" x 72"	4	6	24	7	QR1-(B/Y/R)239*	375.81
10 <sup>3</sup> / <sub>4</sub> " x 8 <sup>3</sup> / <sub>4</sub> " x 7"	48" x 12" x 72"	5	6	30	7	QR2-(B/Y/R)239*	459.04
10 <sup>3</sup> / <sub>4</sub> " x 8 <sup>3</sup> / <sub>4</sub> " x 7"	60" x 12" x 72"	7	6	42	7	QR3-(B/Y/R)239*	669.90
10 <sup>3</sup> / <sub>4</sub> " x 8 <sup>3</sup> / <sub>4</sub> " x 7"	72" x 12" x 72"	8	6	48	7	QR4-(B/Y/R)239*	678.97
10 <sup>3</sup> / <sub>4</sub> " x 8 <sup>3</sup> / <sub>4</sub> " x 7"	96" x 12" x 72"	11	6	66	7	QR5-(B/Y/R)239*	917.43
<b>15"D Bins</b>							
14 <sup>3</sup> / <sub>4</sub> " x 8 <sup>1</sup> / <sub>2</sub> " x 7"	36" x 15" x 72"	4	6	24	7	QR1-(B/Y/R)240*	445.04
14 <sup>3</sup> / <sub>4</sub> " x 8 <sup>1</sup> / <sub>2</sub> " x 7"	48" x 15" x 72"	5	6	30	7	QR2-(B/Y/R)240*	545.11
14 <sup>3</sup> / <sub>4</sub> " x 8 <sup>1</sup> / <sub>2</sub> " x 7"	60" x 15" x 72"	7	6	42	7	QR3-(B/Y/R)240*	804.48
14 <sup>3</sup> / <sub>4</sub> " x 8 <sup>1</sup> / <sub>2</sub> " x 7"	72" x 15" x 72"	8	6	48	7	QR4-(B/Y/R)240*	827.15
14 <sup>3</sup> / <sub>4</sub> " x 8 <sup>1</sup> / <sub>2</sub> " x 7"	96" x 15" x 72"	11	6	66	7	QR5-(B/Y/R)240*	1,100.15
14 <sup>3</sup> / <sub>4</sub> " x 16 <sup>1</sup> / <sub>2</sub> " x 7"	36" x 15" x 72"	2	6	12	7	QR1-(B/Y/R)250*	374.48
14 <sup>3</sup> / <sub>4</sub> " x 16 <sup>1</sup> / <sub>2</sub> " x 7"	60" x 15" x 72"	3	6	18	7	QR3-(B/Y/R)250*	551.90
14 <sup>3</sup> / <sub>4</sub> " x 16 <sup>1</sup> / <sub>2</sub> " x 7"	72" x 15" x 72"	4	6	24	7	QR4-(B/Y/R)250*	686.03
14 <sup>3</sup> / <sub>4</sub> " x 16 <sup>1</sup> / <sub>2</sub> " x 7"	96" x 15" x 72"	5	6	30	7	QR5-(B/Y/R)250*	856.02
<b>18"D Bins</b>							
18" x 11" x 10"	36" x 18" x 72"	3	5	15	6	QR1-(B/Y/R)260*	478.44
18" x 11" x 10"	48" x 18" x 72"	4	5	20	6	QR2-(B/Y/R)260*	612.59
18" x 11" x 10"	60" x 18" x 72"	5	5	25	6	QR3-(B/Y/R)260*	757.26
18" x 11" x 10"	72" x 18" x 72"	6	5	30	6	QR4-(B/Y/R)260*	893.05
18" x 11" x 10"	96" x 18" x 72"	8	5	40	6	QR5-(B/Y/R)260*	1,165.75
18" x 16 <sup>1</sup> / <sub>2</sub> " x 11"	36" x 18" x 72"	2	4	8	5	QR1-(B/Y/R)270*	367.23
18" x 16 <sup>1</sup> / <sub>2</sub> " x 11"	60" x 18" x 72"	3	4	12	5	QR3-(B/Y/R)270*	537.25
18" x 16 <sup>1</sup> / <sub>2</sub> " x 11"	72" x 18" x 72"	4	4	16	5	QR4-(B/Y/R)270*	675.15
18" x 16 <sup>1</sup> / <sub>2</sub> " x 11"	96" x 18" x 72"	5	4	20	5	QR5-(B/Y/R)270*	840.08

# Series 200B Mobile Bin Storage Units

Mobile bin storage units come complete with bins. These highly functional mobile shelf carts are built to last. Heavy duty steel construction ensures years of dependable service. Bins are made of heavy duty polypropylene and are unaffected by water, grease and oil. These mobile units include four heavy duty 5" casters (two swivel and two rigid). Unit height 78". Steel color: Gray. Cart capacity: 600 lbs. Features 1/2" particle board decking.



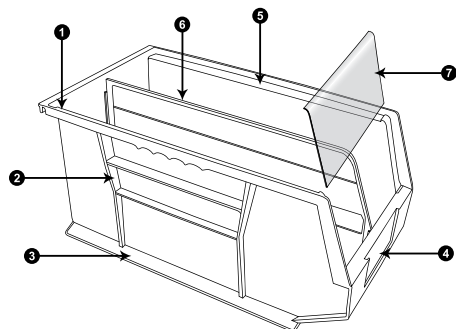
Advanced boltless shelf design that utilizes the strength of double rivet beams



Bin D x W x H	Unit W x D x H	Bins Per Level	# of Levels w/Bins	Total # of Bins	# of Shelves	Model Number	Price Each
<b>Single Sided - 12"D Mobile Bin Units</b>							
10 <sup>7</sup> / <sub>8</sub> " x 5 <sup>1</sup> / <sub>2</sub> " x 5"	36" x 12" x 78"	6	7	42	8	QL1-(B/Y/R)230*	517.51
10 <sup>7</sup> / <sub>8</sub> " x 5 <sup>1</sup> / <sub>2</sub> " x 5"	48" x 12" x 78"	8	7	56	8	QL2-(B/Y/R)230*	639.68
10 <sup>7</sup> / <sub>8</sub> " x 11" x 5"	36" x 12" x 78"	3	7	21	8	QL1-(B/Y/R)235*	460.18
10 <sup>7</sup> / <sub>8</sub> " x 11" x 5"	48" x 12" x 78"	4	7	28	8	QL2-(B/Y/R)235*	563.24
10 <sup>3</sup> / <sub>4</sub> " x 8 <sup>3</sup> / <sub>4</sub> " x 7"	36" x 12" x 78"	4	6	24	7	QL1-(B/Y/R)239*	480.61
10 <sup>3</sup> / <sub>4</sub> " x 8 <sup>3</sup> / <sub>4</sub> " x 7"	48" x 12" x 78"	5	6	30	7	QL2-(B/Y/R)239*	574.48
<b>Double Sided - 24"D Mobile Bin Units</b>							
811.93	36" x 24" x 78"	12	7	84	8	QLD1-(B/Y/R)230*	811.93
1,014.16	48" x 24" x 78"	16	7	112	8	QLD2-(B/Y/R)230*	1,014.16
697.27	36" x 24" x 78"	6	7	42	8	QLD1-(B/Y/R)235*	697.27
861.28	48" x 24" x 78"	8	7	56	8	QLD2-(B/Y/R)235*	861.28
749.55	36" x 24" x 78"	8	6	48	7	QLD1-(B/Y/R)239*	749.55
898.18	48" x 24" x 78"	10	6	60	7	QLD2-(B/Y/R)239*	898.18
1,173.60	60" x 24" x 78"	14	6	84	7	QLD3-(B/Y/R)239*	1,173.60
<b>Single Sided - 18"D Mobile Bin Units</b>							
18" x 11" x 10"	36" x 18" x 78"	3	5	15	6	QL1-(B/Y/R)260*	595.31
18" x 11" x 10"	48" x 18" x 78"	4	5	20	6	QL2-(B/Y/R)260*	739.43
18" x 11" x 10"	60" x 18" x 78"	5	5	25	6	QL3-(B/Y/R)260*	894.09
18" x 16 <sup>1</sup> / <sub>2</sub> " x 11"	36" x 18" x 78"	2	4	8	5	QL1-(B/Y/R)270*	545.14
18" x 16 <sup>1</sup> / <sub>2</sub> " x 11"	60" x 18" x 78"	3	4	12	5	QL3-(B/Y/R)270*	707.12
<b>Double Sided - 36"D Mobile Bin Units</b>							
18" x 11" x 10"	48" x 36" x 78"	8	5	30	6	QLD2-(B/Y/R)260*	1,036.70
18" x 11" x 10"	60" x 36" x 78"	10	5	40	6	QLD3-(B/Y/R)260*	1,300.11
18" x 16 <sup>1</sup> / <sub>2</sub> " x 11"	60" x 36" x 78"	6	4	24	5	QLD3-(B/Y/R)270*	1,087.75

# Stackable Bins

Stackable bins are made of heavy duty polypropylene with permanent molded-in color. They are virtually unbreakable and are water, rust and corrosion-proof. Ideal for assembly, production, manufacturing or repair areas. Finger grips are provided for ease of handling. Bin fronts have a large slotted label area. Reinforced ribs prevent bins from spreading under loads. Clear plastic windows are available to increase bin storage capacity while maintaining easy visibility of bin contents. Enhance bin functionality by adding optional bin dividers. Choose from 9 different sizes and 3 different colors (Blue, Yellow & Red). Sold in carton quantities only.



1. Full length hanger
2. Side reinforcing rib design
3. Extra-wide stacking ledge
4. Large front label slots
5. Anti-slid stop to prevent shifting
6. Optional Divider
7. Optional see thru window

### Clear Plastic Windows

Fits Bin	Ctn. Qty.	Model Number	Price Each
225-QTB230	12	<b>225-QTAW230</b>	1.17
225-QTB235	6	<b>225-QTAW235</b>	1.66
225-QTB239/240	6	<b>225-QTAW239/240</b>	1.53
225-QTB250	6	<b>225-QTAW250</b>	3.36
225-QTB260	4	<b>225-QTAW260</b>	2.84
225-QTB270	3	<b>225-QTAW270</b>	4.02

### Stackable Bins

Outside D x W x H	Ctn. Qty.	Blue Bins	Yellow Bins	Red Bins	Price Each
5 $\frac{3}{8}$ " x 4 $\frac{1}{8}$ " x 3"	24	<b>225-QTB210</b>	<b>225-QTY210</b>	<b>225-QTR210</b>	1.32
7 $\frac{3}{8}$ " x 4 $\frac{1}{8}$ " x 3"	24	<b>225-QTB220</b>	<b>225-QTY220</b>	<b>225-QTR220</b>	2.11
10 $\frac{7}{8}$ " x 5 $\frac{1}{2}$ " x 5"	12	<b>225-QTB230</b>	<b>225-QTY230</b>	<b>225-QTR230</b>	5.51
10 $\frac{7}{8}$ " x 11" x 5"	6	<b>225-QTB235</b>	<b>225-QTY235</b>	<b>225-QTR235</b>	8.30
10 $\frac{3}{4}$ " x 8 $\frac{3}{4}$ " x 7"	6	<b>225-QTB239</b>	<b>225-QTY239</b>	<b>225-QTR239</b>	8.86
14 $\frac{3}{4}$ " x 8 $\frac{1}{2}$ " x 7"	12	<b>225-QTB240</b>	<b>225-QTY240</b>	<b>225-QTR240</b>	11.29
14 $\frac{3}{4}$ " x 16 $\frac{1}{2}$ " x 7"	6	<b>225-QTB250</b>	<b>225-QTY250</b>	<b>225-QTR250</b>	16.70
18" x 11" x 10"	4	<b>225-QTB260</b>	<b>225-QTY260</b>	<b>225-QTR260</b>	20.90
18" x 16 $\frac{1}{2}$ " x 11"	3	<b>225-QTB270</b>	<b>225-QTY270</b>	<b>225-QTR270</b>	27.95

### Bin Dividers

Fits Bin	Ctn. Qty.	Model Number	Price Each
225-QTB210	6	<b>225-QTAD210</b>	0.89
225-QTB220	6	<b>225-QTAD220</b>	1.00
225-QTB230/235	6	<b>225-QTAD230/235</b>	1.53
225-QTB239	6	<b>225-QTAD239</b>	1.89
225-QTB240/250	6	<b>225-QTAD240/250</b>	2.60
225-QTB260	6	<b>225-QTAD260</b>	4.66
225-QTB270	6	<b>225-QTAD270</b>	5.00

# Plastic Bins

These durable polypropylene bins are designed for either 12", 18" or 24" deep shelving units. Polypropylene bins outlast corrugated and pay for themselves in reduced replacement costs. Bins are waterproof and unaffected by grease and oil. Front of bins have a large label area. Optional bin cups are available and easily fit into all bins. Bin dividers can also be ordered to increase bin functionality by separating small parts and supplies. Sold in carton quantity only.



### Bin Cups



### Bin Dividers



### Bin Dividers

Divider Color	Ctn. Qty.	Model Number	Price Each
Black	24	<b>225-SBD4</b>	0.42
Black	24	<b>225-SBD6</b>	0.48
Black	24	<b>225-SBD8</b>	1.05

### Bin Cups

Outside W x D x H	Ctn. Qty.	Model Number	Price Each
3 $\frac{1}{4}$ " x 1 $\frac{7}{8}$ " x 3"	100	<b>225-SBC1</b>	0.45

### Plastic Bins

Size W x D x H	Ctn. Qty.	Model Number	Price Each
4" x 11 $\frac{1}{2}$ " x 4"	24	<b>225-SB124</b>	1.71
6" x 11 $\frac{1}{2}$ " x 4"	24	<b>225-SB126</b>	2.67
8" x 11 $\frac{1}{2}$ " x 4"	24	<b>225-SB128</b>	2.87
4" x 17 $\frac{1}{2}$ " x 4"	24	<b>225-SB184</b>	2.30
6" x 17 $\frac{1}{2}$ " x 4"	24	<b>225-SB186</b>	3.26

# Corrugated Bins

An economical way to store and organize small or loose parts. These rugged bins are constructed of 200 lb. test corrugated board. The bins fold together quickly and are ready for use in seconds. Sold 100 bins per carton only. Priced per bin.



Size W x D x H	Ctn. Qty.	Model Number	Price Each
4" x 12" x 4"	100	<b>225-BC124</b>	0.91
6" x 12" x 4"	100	<b>225-BC126</b>	1.06
8" x 12" x 4"	100	<b>225-BC128</b>	1.17
4" x 18" x 4"	100	<b>225-BC184</b>	1.39
6" x 18" x 4"	100	<b>225-BC186</b>	1.49



# Bin Shelving Units

These handy bin units are great for organizing your small parts. Utilizing the heavy duty construction of our 200A Boltless Shelving system using industrial strength steel components and particle board decking. Available with your choice of plastic or corrugated bins. Units come complete with shelving and bins. Units available with 12" or 18" deep bins. Features 1/2" particle board decking.



Increase bin functionality with bin cups & dividers (see page 40).

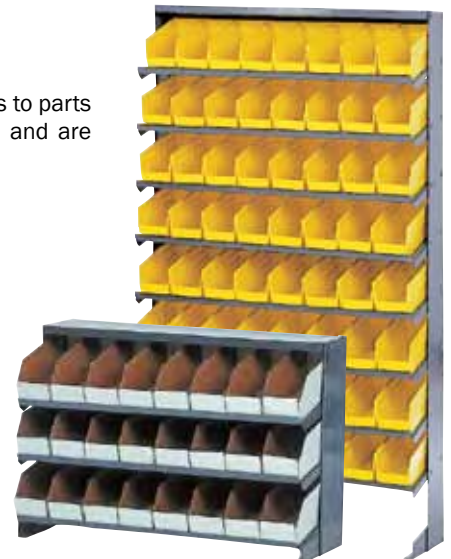


Bin W x D x H	Unit W x D x H	Bins Per Level	Total # of Bins	Plastic Bin Units		Corrugated Bin Units	
				Model Number	Price Each	Model Number	Price Each
<b>36"H Units</b>							
4" x 12" x 4"	36" x 12" x 36"	8	40	<b>A6-3612-36W-SB4</b>	164.68	<b>A6-3612-36W-CB4</b>	132.98
6" x 12" x 4"	36" x 12" x 36"	5	25	<b>A6-3612-36W-SB6</b>	163.04	<b>A6-3612-36W-CB6</b>	122.98
8" x 12" x 4"	36" x 12" x 36"	4	20	<b>A6-3612-36W-SB8</b>	153.93	<b>A6-3612-36W-CB8</b>	119.94
4" x 18" x 4"	36" x 18" x 36"	8	40	<b>A6-3618-36W-SB4</b>	203.31	<b>A6-3618-36W-CB4</b>	166.39
6" x 18" x 4"	36" x 18" x 36"	5	25	<b>A6-3618-36W-SB6</b>	192.63	<b>A6-3618-36W-CB6</b>	148.47
<b>72"H Units</b>							
4" x 12" x 4"	36" x 12" x 72"	8	88	<b>A12-3612-72WSB4</b>	328.01	<b>A12-3612-72WCB4</b>	258.68
6" x 12" x 4"	36" x 12" x 72"	5	55	<b>A12-3612-72WSB6</b>	324.40	<b>A12-3612-72WCB6</b>	236.62
8" x 12" x 4"	36" x 12" x 72"	4	44	<b>A12-3612-72WSB8</b>	304.36	<b>A12-3612-72WCB8</b>	229.57
4" x 18" x 4"	36" x 18" x 72"	8	88	<b>A12-3618-72WSB4</b>	407.36	<b>A12-3618-72WCB4</b>	326.55
6" x 18" x 4"	36" x 18" x 72"	5	55	<b>A12-3618-72WSB6</b>	383.87	<b>A12-3618-72WCB6</b>	286.59
4" x 12" x 4"	36" x 12" x 72"	8	40	<b>A12-3612-72WSBC</b>	326.04	<b>A12-3612-72WCBC</b>	246.65
6" x 12" x 4"		5	30				
4" x 18" x 4"	36" x 18" x 72"	8	40	<b>A12-3618-72WSBC</b>	394.55	<b>A12-3618-72WCBC</b>	304.75
6" x 18" x 4"		5	30				

# Pick Racks

Pick racks are highly functional and feature angled shelves for easy visibility and quick access to parts and supplies. Available with your choice of plastic or corrugated bins. Units are 12" deep and are available with either 4", 6", or 8" wide bins.

Bin W x D x H	Total # of Bins	Pick Rack w/Plastic Bins		Pick Racks w/Corrugated Bins	
		Model Number	Price Each	Model Number	Price Each
<b>Bench Rack</b>					
4" x 12" x 4"	24	<b>PRB-SB4</b>	140.25	<b>PRB-CB4</b>	121.10
6" x 12" x 4"	15	<b>PRB-SB6</b>	139.18	<b>PRB-CB6</b>	115.08
8" x 12" x 4"	12	<b>PRB-SB8</b>	133.57	<b>PRB-CB8</b>	113.16
Rack Only	n/a	<b>235-PRB1</b>	99.17	<b>235-PRB1</b>	99.17
<b>Floor Rack</b>					
4" x 12" x 4"	64	<b>PRF-SB4</b>	341.45	<b>PRF-CB4</b>	290.38
6" x 12" x 4"	40	<b>PRF-SB6</b>	338.59	<b>PRF-CB6</b>	274.33
8" x 12" x 4"	32	<b>PRF-SB8</b>	323.64	<b>PRF-CB8</b>	269.21
Rack Only	n/a	<b>235-PRF1</b>	231.91	<b>235-PRF1</b>	231.91



# Chrome Wire Shelving with Plastic Small Parts Bins

Combine looks and function with these high quality chrome bin storage units. Available in a variety of sizes and colors to meet your specific needs and color preferences. Bins are reinforced for added strength and durability. Bin dividers can be added to the bins to separate small parts (see page 40 for pricing). Finger grips on bins allow for easy handling.

Mobile units glide easily on four locking industrial grade 5" casters.



**Increase bin functionality with bin cups & dividers (see page 40).**



### Stationary Units

Bin D x W x H	Unit W x D x H	Bins Per Level	# of Levels w/Bins	Total # of Bins	# of Shelves	Model Number	Price Each
<b>36" High Units - Single Sided</b>							
4" x 12" x 4"	36" x 12" x 36"	8	5	40	6	<b>WCS6-123636-S4</b>	258.09
6" x 12" x 4"	36" x 12" x 36"	5	5	25	6	<b>WCS6-123636-S6</b>	256.31
8" x 12" x 4"	36" x 12" x 36"	4	5	20	6	<b>WCS6-123636-S8</b>	246.96
4" x 18" x 4"	36" x 18" x 36"	8	5	40	6	<b>WCS6-183636-S4</b>	320.29
6" x 18" x 4"	36" x 18" x 36"	5	5	25	6	<b>WCS6-183636-S6</b>	309.69
8" x 18" x 4"	36" x 18" x 36"	4	5	20	6	<b>WCS6-183636-S8</b>	335.83
4" x 24" x 4"	36" x 24" x 36"	8	5	40	6	<b>WCS6-243636-S4</b>	486.93
6" x 24" x 4"	36" x 24" x 36"	5	5	25	6	<b>WCS6-243636-S6</b>	481.57
8" x 24" x 4"	36" x 24" x 36"	4	5	20	6	<b>WCS6-243636-S8</b>	453.54
<b>74" High Units - Single Sided</b>							
4" x 12" x 4"	36" x 12" x 74"	8	11	40	12	<b>WCS12-123674-S4</b>	531.85
6" x 12" x 4"	36" x 12" x 74"	5	11	25	12	<b>WCS12-123674-S6</b>	527.92
8" x 12" x 4"	36" x 12" x 74"	4	11	20	12	<b>WCS12-123674-S8</b>	507.36
4" x 18" x 4"	36" x 18" x 74"	8	11	40	12	<b>WCS12-183674-S4</b>	660.95
6" x 18" x 4"	36" x 18" x 74"	5	11	25	12	<b>WCS12-183674-S6</b>	637.62
8" x 18" x 4"	36" x 18" x 74"	4	11	20	12	<b>WCS12-183674-S8</b>	695.14
4" x 24" x 4"	36" x 24" x 74"	8	11	40	12	<b>WCS12-243674-S4</b>	1,016.90
6" x 24" x 4"	36" x 24" x 74"	5	11	25	12	<b>WCS12-243674-S6</b>	1,005.12
8" x 24" x 4"	36" x 24" x 74"	4	11	20	12	<b>WCS12-243674-S8</b>	943.45

### Mobile Units

Bin D x W x H	Unit W x D x H	Bins Per Level	# of Levels w/Bins	Total # of Bins	# of Shelves	Model Number	Price Each
<b>42" High Units - Double Sided</b>							
4" x 12" x 4"	36" x 24" x 42"	16	5	80	6	<b>WCC6-243642-S4</b>	510.49
6" x 12" x 4"	36" x 24" x 42"	10	5	50	6	<b>WCC6-243642-S6</b>	506.92
8" x 12" x 4"	36" x 24" x 42"	8	5	40	6	<b>WCC6-243642-S8</b>	488.23
<b>80" High Units - Double Sided</b>							
4" x 12" x 4"	36" x 24" x 80"	16	11	176	12	<b>WCC12-243680-S4</b>	926.10
6" x 12" x 4"	36" x 24" x 80"	10	11	110	12	<b>WCC12-243680-S6</b>	918.25
8" x 12" x 4"	36" x 24" x 80"	8	11	88	12	<b>WCC12-243680-S8</b>	877.13

# Mobile Shelving with Plastic or Corrugated Small Parts Bins

These highly functional mobile shelf carts are complete with either plastic or corrugated small parts bins. Units are available in single or double sided configurations to fit your needs. Heavy duty steel construction insures years of dependable service and allows easy transport of bins to work areas. Heavy-duty mobile shelf carts feature 5" casters (2 swivel and 2 rigid). Steel color: Powder coated gray. Cart capacity: 600 lbs. Features 1/2" particle board decking.



Bin D x W x H	Unit W x D x H	Bins Per Level	# of Levels w/Bins	Total # of Bins	# of Shelves	Mobile Shelving w/ Plastic Bins		Mobile Shelving w/ Corrugated Bins		
						Model Number	Price Each	Model Number	Price Each	
<b>37" High Units - Single Sided</b>										
4" x 12" x 4"	48" x 12" x 37"	11	4	44	5	CA5-4812-30W-S4	295.90	CA5-4812-30W-C4	260.79	
6" x 12" x 4"	48" x 12" x 37"	7	4	28	5	CA5-4812-30W-S6	295.27	CA5-4812-30W-C6	250.29	
8" x 12" x 4"	48" x 12" x 37"	5	4	20	5	CA5-4812-30W-S8	277.92	CA5-4812-30W-C8	243.90	
4" x 18" x 4"	48" x 18" x 37"	11	4	44	5	CA5-4818-30W-S4	347.61	CA5-4818-30W-C4	307.42	
6" x 18" x 4"	48" x 18" x 37"	7	4	28	5	CA5-4818-30W-S6	337.58	CA5-4818-30W-C6	288.18	
<b>37" High Units - Double Sided</b>										
4" x 12" x 4"	48" x 24" x 37"	22	4	88	5	CA5-4824-30W-S4	422.16	CA5-4824-30W-C4	351.94	
6" x 12" x 4"	48" x 24" x 37"	14	4	56	5	CA5-4824-30W-S6	420.90	CA5-4824-30W-C6	330.94	
8" x 12" x 4"	48" x 24" x 37"	10	4	40	5	CA5-4824-30W-S8	386.21	CA5-4824-30W-C8	318.17	
4" x 18" x 4"	48" x 36" x 37"	22	4	88	5	CA5-4836-30W-S4	529.75	CA5-4836-30W-C4	449.36	
6" x 18" x 4"	48" x 36" x 37"	14	4	56	5	CA5-4836-30W-S6	509.67	CA5-4836-30W-C6	410.89	
<b>67" High Units - Single Sided</b>										
4" x 12" x 4"	48" x 12" x 67"	11	8	88	9	CA9-4812-60W-S4	440.55	CA9-4812-60W-C4	370.32	
6" x 12" x 4"	48" x 12" x 67"	7	8	56	9	CA9-4812-60W-S6	439.29	CA9-4812-60W-C6	349.32	
8" x 12" x 4"	48" x 12" x 67"	5	8	40	9	CA9-4812-60W-S8	404.60	CA9-4812-60W-C8	336.56	
4" x 18" x 4"	48" x 18" x 67"	11	8	88	9	CA9-4818-60W-S4	528.59	CA9-4818-60W-C4	448.20	
6" x 18" x 4"	48" x 18" x 67"	5	8	56	9	CA9-4818-60W-S6	508.52	CA9-4818-60W-C6	409.73	
<b>67" High Units - Double Sided</b>										
4" x 12" x 4"	48" x 24" x 37"	22	8	176	9	CA9-4824-60W-S4	663.03	CA9-4824-60W-C4	522.59	
6" x 12" x 4"	48" x 24" x 37"	14	8	112	9	CA9-4824-60W-S6	660.51	CA9-4824-60W-C6	480.59	
8" x 12" x 4"	48" x 24" x 37"	10	8	80	9	CA9-4824-60W-S8	591.13	CA9-4824-60W-C8	455.05	
4" x 18" x 4"	48" x 36" x 37"	22	8	176	9	CA9-4836-60W-S4	843.36	CA9-4836-60W-C4	682.58	
6" x 18" x 4"	48" x 36" x 37"	10	8	112	9	CA9-4836-60W-S6	803.21	CA9-4836-60W-C6	605.64	